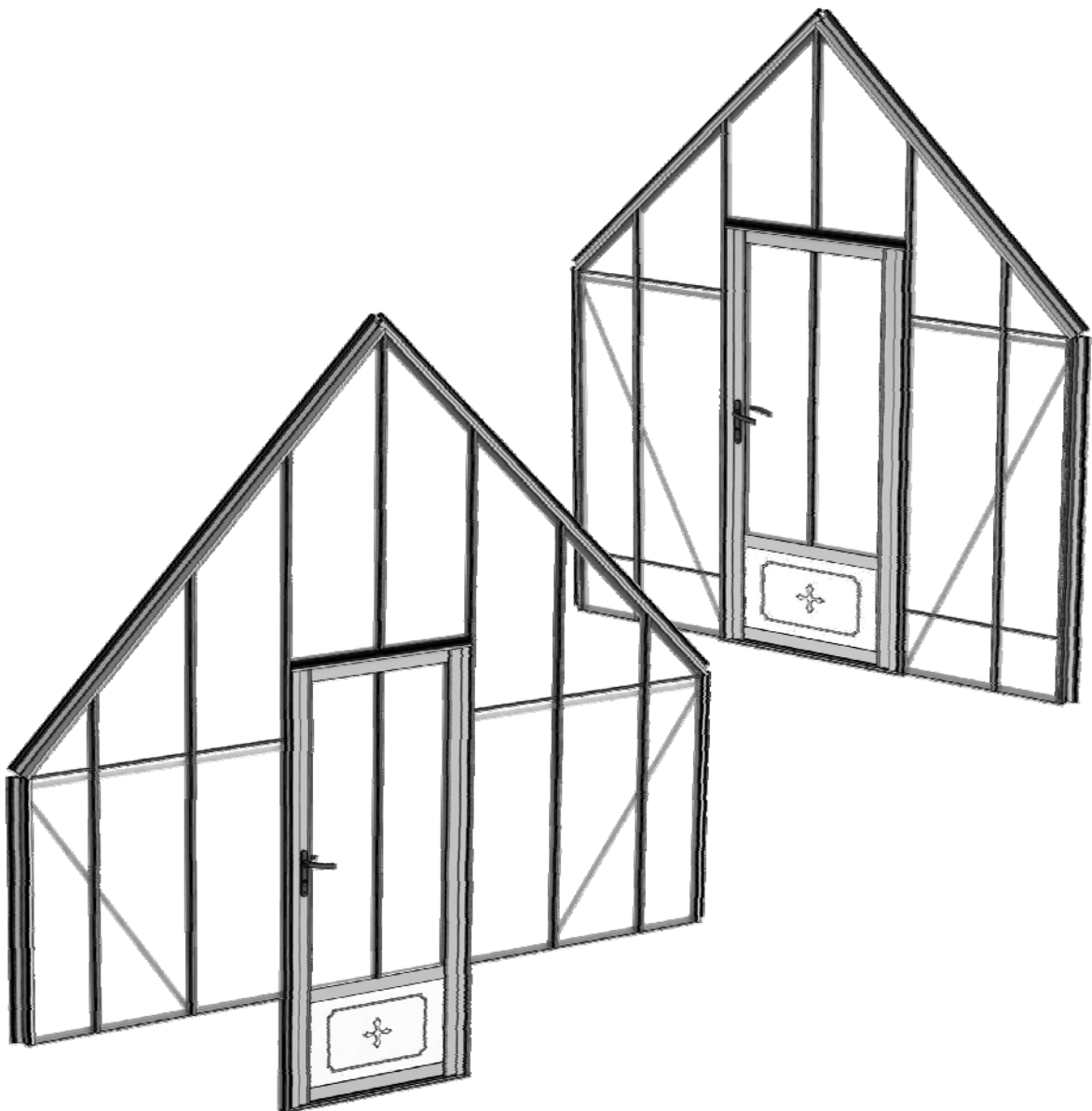


Robinsons
ALUMINIUM GREENHOUSES

Victorian Partition Assembly Instructions



Issue 1



Thank you for purchasing your new Robinsons greenhouse. We recommend you familiarise yourself with the instructions and read all safety information before you commence assembly. This instruction manual is also available online at www.robinsongreenhouses.co.uk in our technical help section should you need to reprint it. Should you require any additional advice you can always call us on 01782 385409.

These instructions are to be used in conjunction with the main instruction manual (read them before this manual):

Safety Warning

- Glass and aluminium can potentially cause injury. Please ensure you wear protective goggles, gloves, headgear and suitable footwear when assembling and glazing the building.
- Please remember that glass is fragile and should be handled with extreme care. Always clear up and dispose of any breakages immediately.
- Do not assemble the greenhouse in high winds.
- For safety reasons and ease of assembly, we recommend that this greenhouse is assembled by a minimum of two people.
- Please clear all lying snow from the greenhouse roof as it can cause the roof to buckle or collapse.

Site Preparation

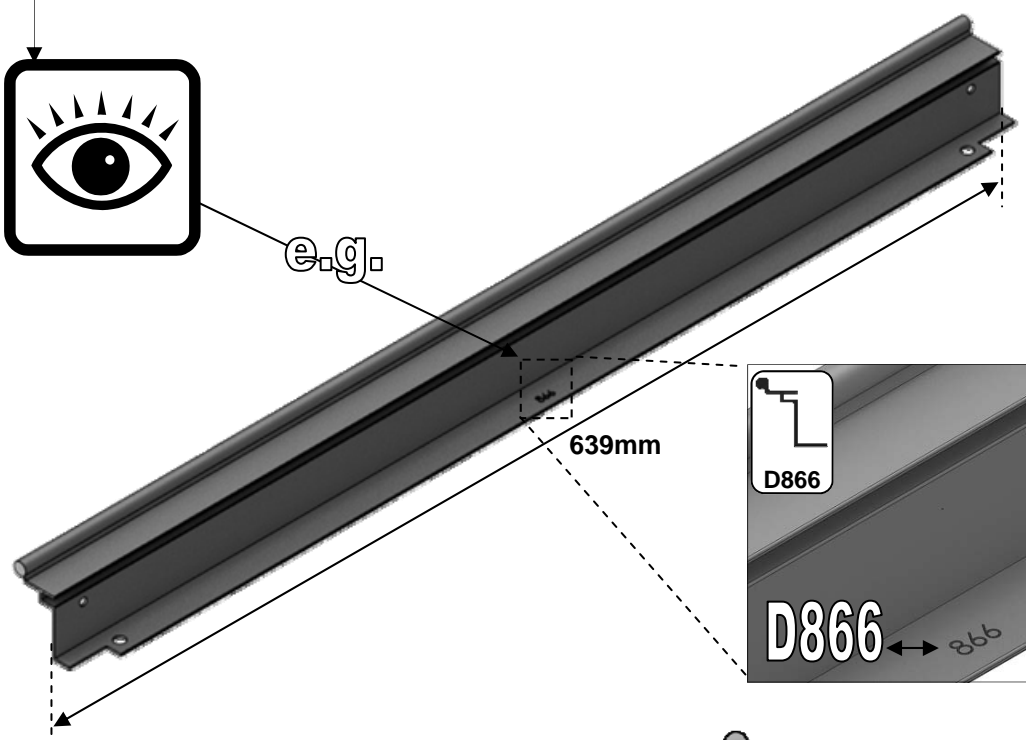
- When selecting a site for your greenhouse, it is vital that you choose as flat and level an area as possible.
- A concrete or slabbed base will provide the most solid foundation for your greenhouse.
- **IMPORTANT:** Do **not** fix your building down until the building is fully assembled, including glazing.
- Avoid placing your greenhouse under trees or in other vulnerable locations.
- To minimise the risk of wind damage, try to select as sheltered a site as possible, e.g. beside a hedgerow or garden fence.

Additional Considerations

- Please bear in mind that assembling your greenhouse can be time consuming. You may need to spread the construction over two or more days. We recommend that you avoid leaving the building partially glazed. If you ever have to leave your greenhouse half assembled and not anchored down, weigh it down with slabs or bags of sand to stop the wind moving it.
- You will find it helpful to prepare a large, clean and clear area in which to work in. A garage floor or flat lawn area is ideal.
- If you have arranged for someone to install your greenhouse for you, please check that all components are included. Most parts are numbered and can be identified by a stamped number (without the 'D') or removable label. Alternatively, the components can be identified by lengths detailed in the packing list (see diagram below).
- Anchoring down your greenhouse should be the final stage of construction (including glazing).
- Once installed your greenhouse requires little maintenance, but to maintain the smooth running of your door(s) WD40 or similar can be applied to the door wheels and lower door guides.

Guarantee

- Your new Robinsons greenhouse is guaranteed for 10 years against faulty manufacture of the framework. This does not include glazing, moving parts, accidental damage or wind damage.



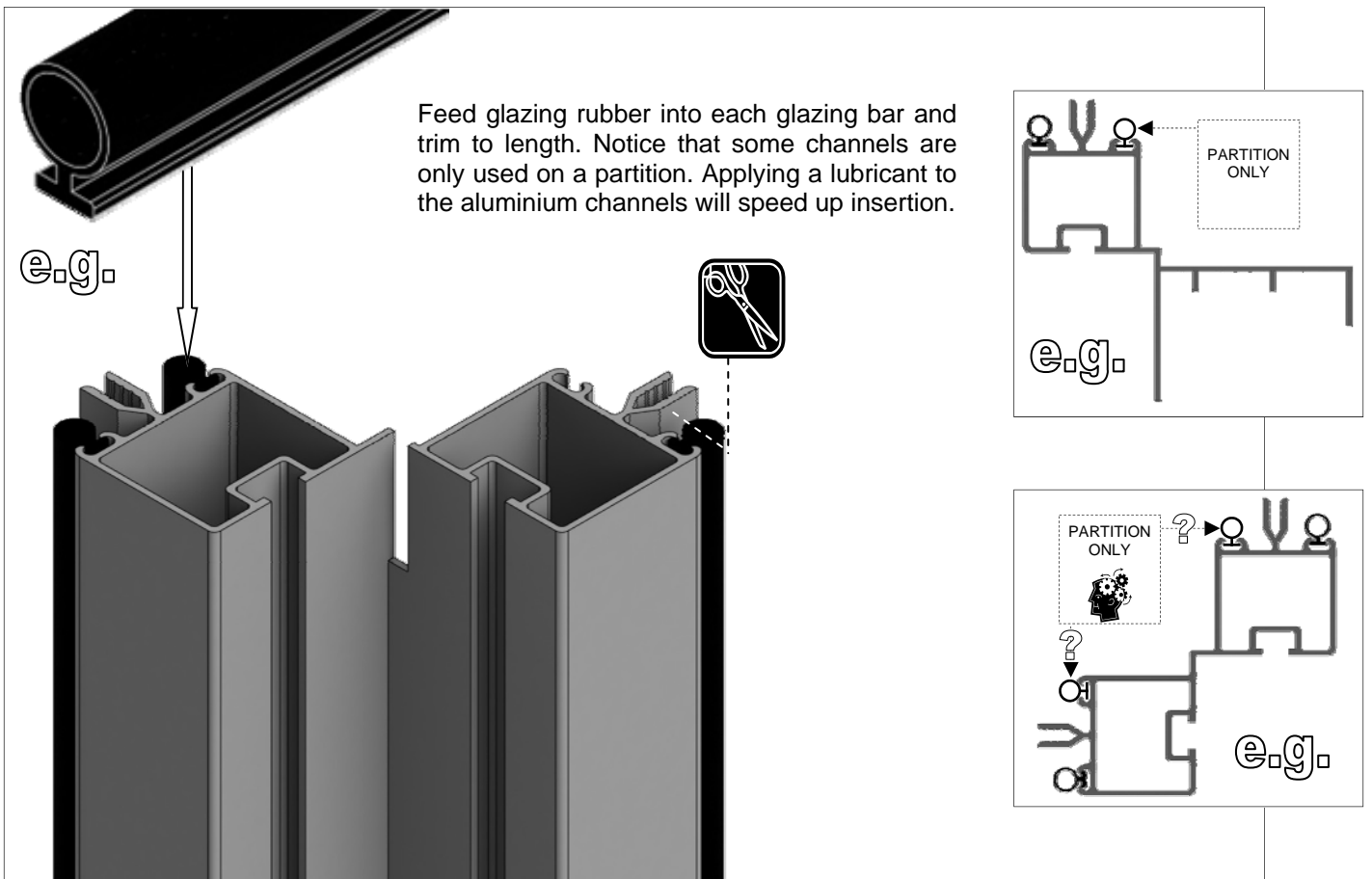
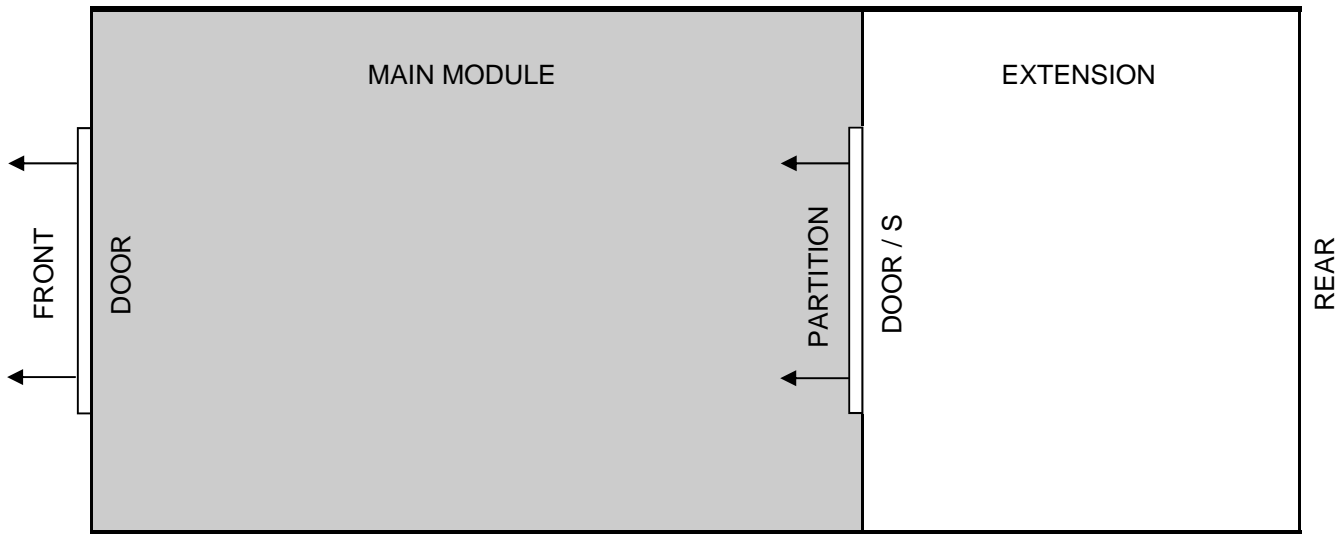
KEY SYMBOL	KEY DESCRIPTION
	THINK
	CORRECT
	TAKE EXTRA CARE
	CUT TO LENGTH



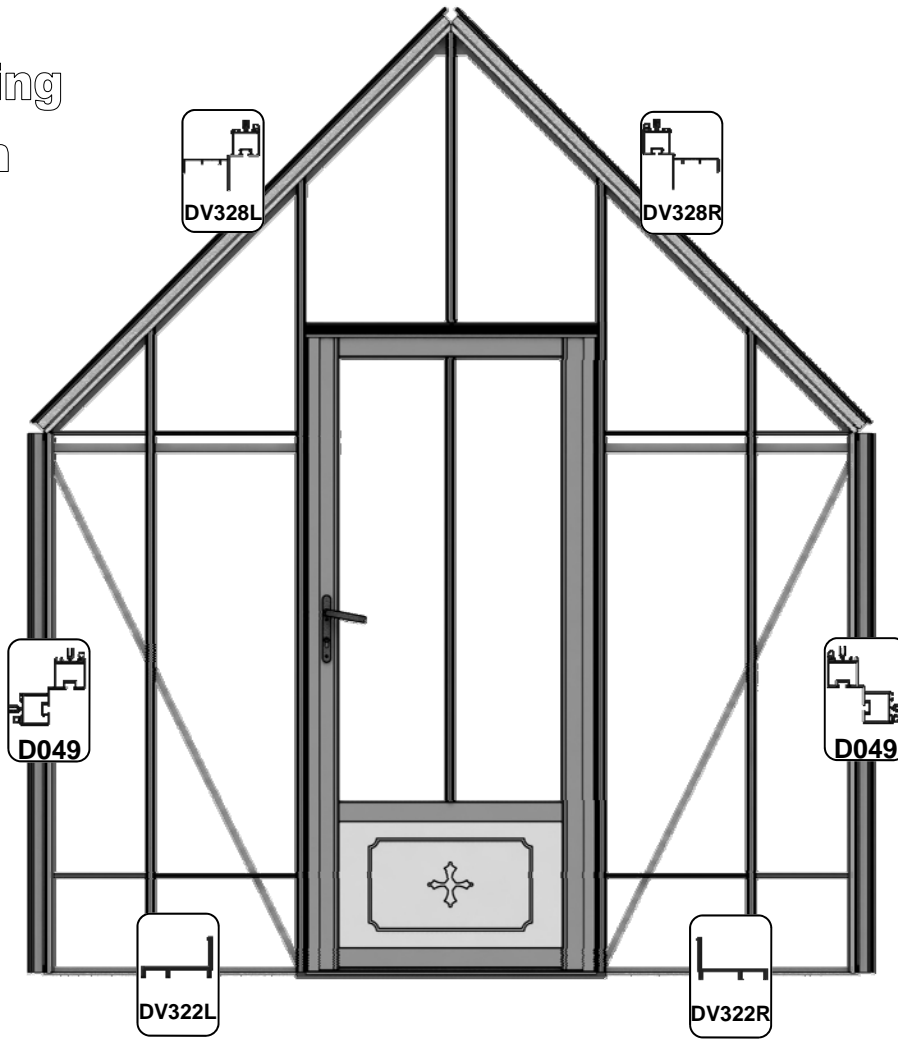
PARTITIONS

Partitions may be fitted at any glazing bar position in the greenhouse. It is advisable to **complete** the partition including glazing before the rest of the structure to make its fitting more straight forward as you will have more space to work.

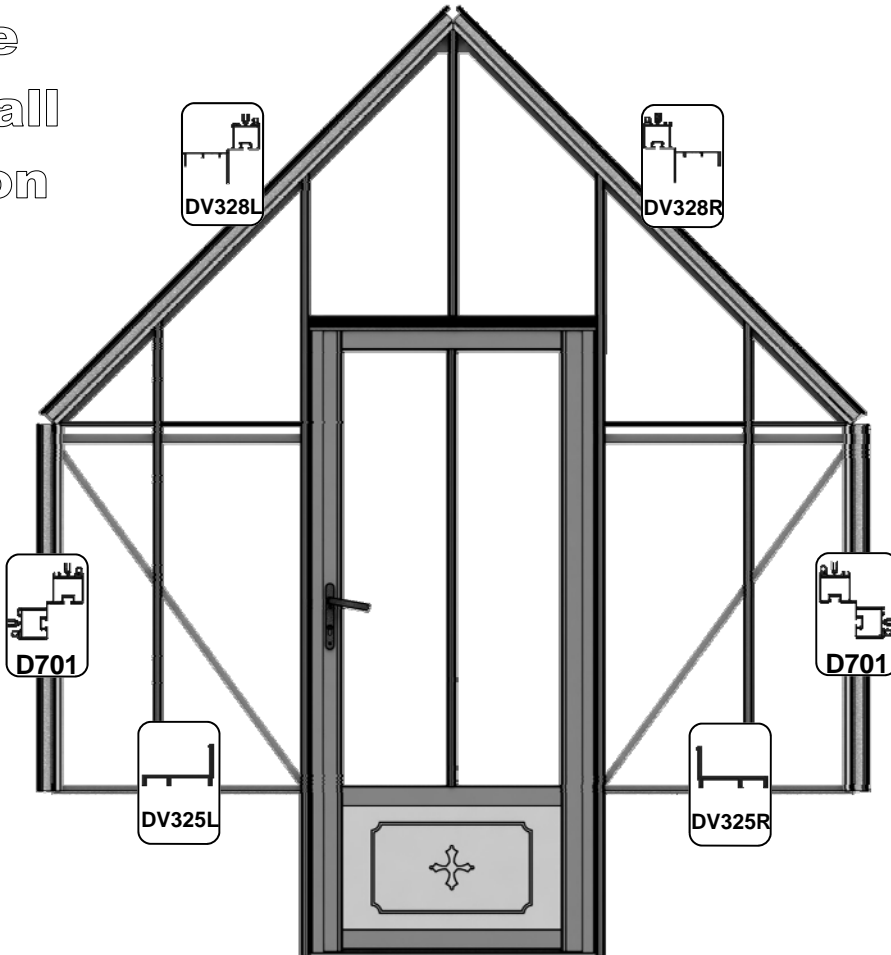
Unlike the main building where you construct the gables whole and attach them it is better with a partition to build it in situ, i.e. build up the partition around the adjoining frame utilising the specially slotted side and roof corner bars. Build the partition in a similar manner to the front gable of your structure utilising the specially adapted parts, see diagrams on the next page. The slots in the side and roof corners allows the ridge, gutter and base rail to pass through. Make sure that you orientate the bars the correct way around to match the front of your building. If however the partition is required on a joint between a main building and extension module, the reinforcing A-frame normally fitted between two building sections is no longer used. It is imperative in this situation that the partition faces the main building checking that you have maintained the 620mm hole spacing's required for the glass to successfully fit. (See diagram below).



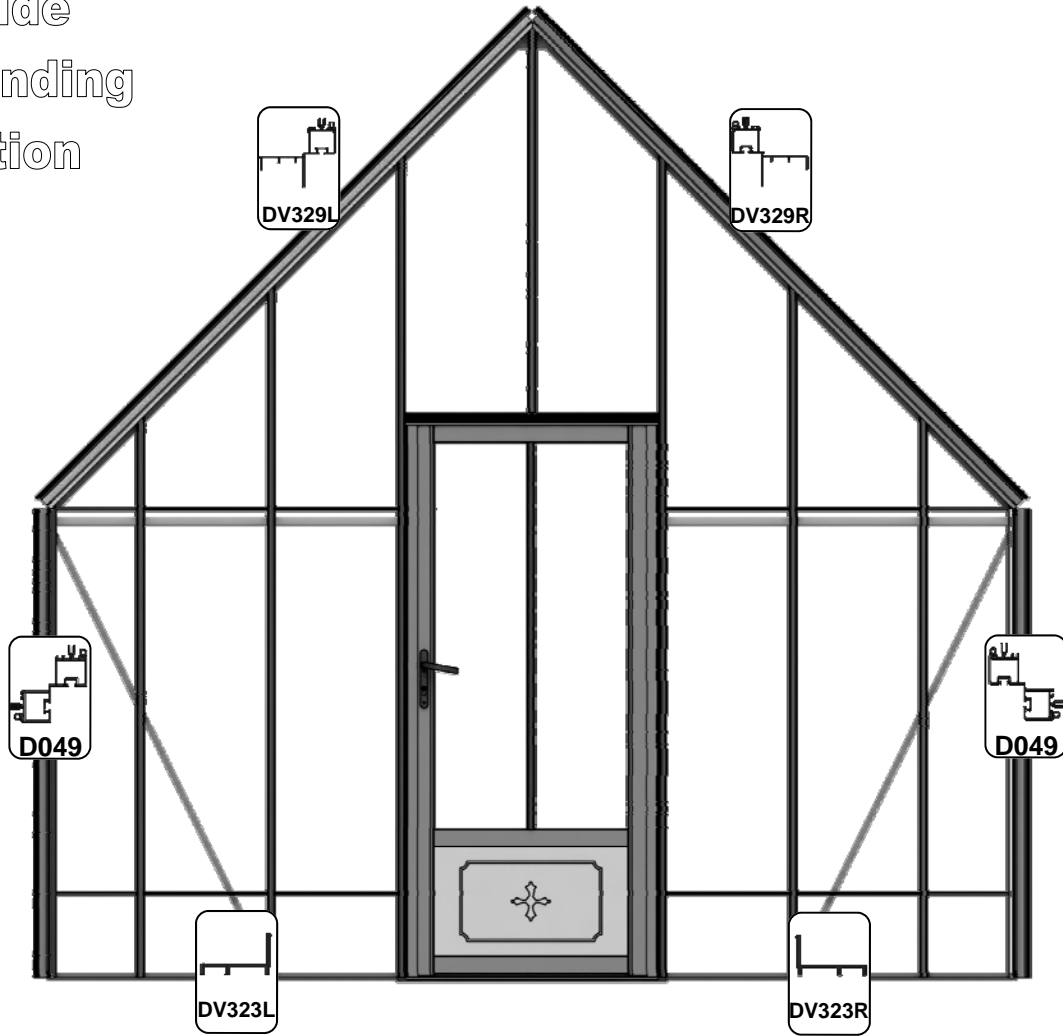
8' Wide
Free-standing
Partition



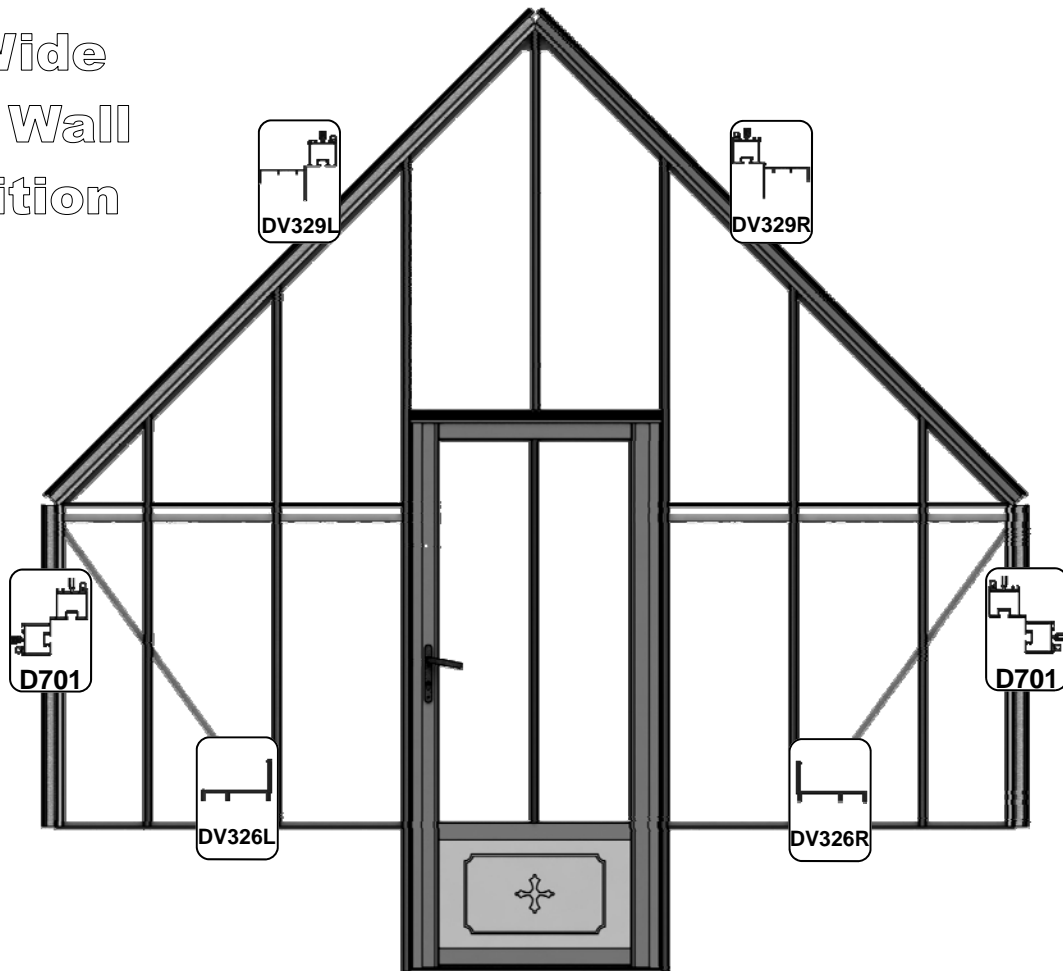
8' Wide
Dwarf Wall
Partition



11' Wide
Free-standing
Partition



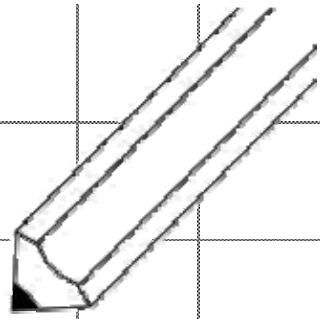
11' Wide
Dwarf Wall
Partition



Robinsons shelf / staging

If you wish your shelf / staging to go right up to the front of a partition then a D2056/G is required so that you can drill and mount the brackets and bracings, see below. Prior to adjoining the shelf / staging the D2056/G needs to be drilled and mounted between the gutter and the cill. It is also necessary to reduce the length of the aluminium slats so that they do not interfere with the partition glazing (best to use a set-square and hacksaw). This is not an issue to the rear of the partition as there is a bolt slot present to allow for attachment.





Please be aware that this is a multi-national manual, if you spot any errors or have any constructive comments regarding the manual please email james@thegreenhousepeople.co.uk and I will make the necessary amendments. Whilst the information contained in this booklet is accurate at the time of publication, changes in the course of Robinsons policy of improvement through development and design might not be indicated. We point out this fact to avoid any infringements of the Trade Descriptions Act and also to advise that Robinsons Greenhouses reserve the right to change specifications and materials without prior notice.

In addition any photographs of completed buildings would be most appreciated to add to our portfolio.

THIS GREENHOUSE BOX WAS PACKED BY:

DATE: _____



www.robinsonsgreenhouses.co.uk

To contact Robinsons Customer Services email us at sales@robinsonsgreenhouses.co.uk or call us on 01782 385 409.

Our address is Robinsons Greenhouses, Unit 19 Blythe Park, Cresswell, Stoke-on-Trent, Staffordshire, ST11 9RD